

BRAIDED FLEXIBLE CONNECTORS

Technical Specifications

Standard Braids

Standard Braids are available in 1", 1 1/4", 1 3/8", 1 1/2", 2", 3", 4", 5" and 6" width.

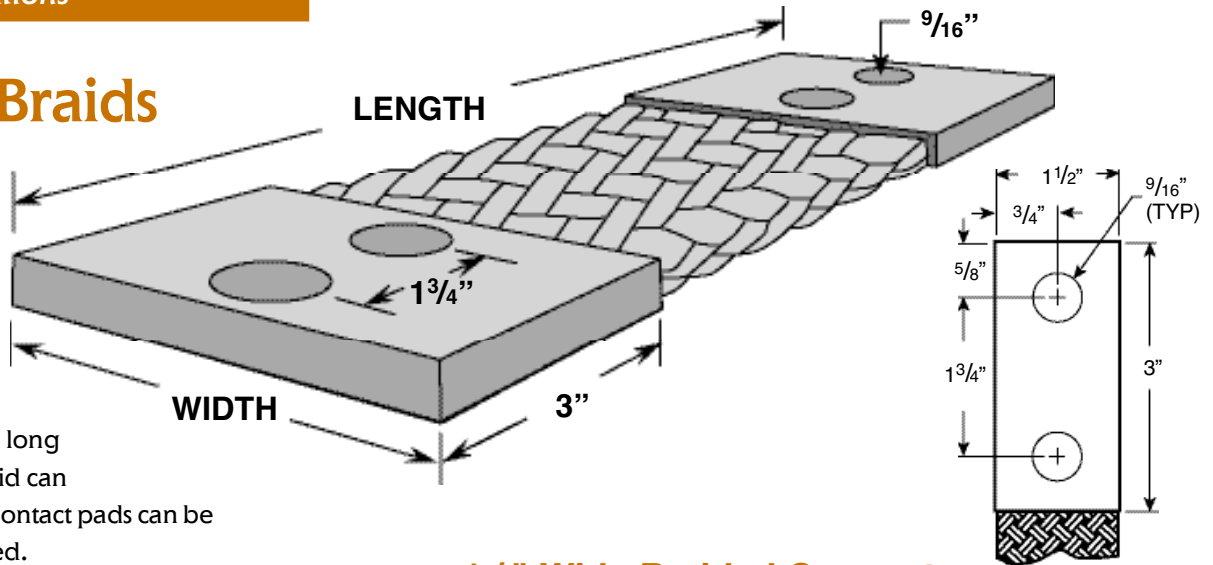
Drilling patterns are NEMA standards or per customer request.

Ferrules are typically 3" long (Maximum is 5 7/8"). Braid can

be bare or tin plated. Contact pads can be silver, tin or nickel plated.

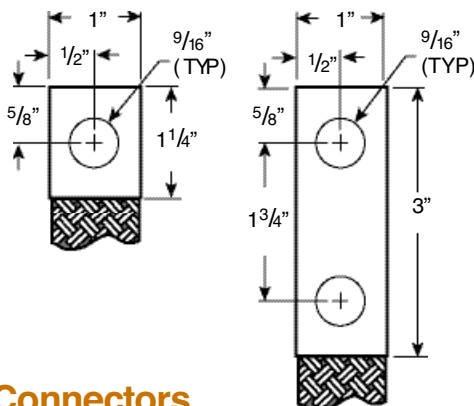
Current capacity to 3200 amps is available.

Current capacity is based on a single conductor in free air with a temperature rise of 30 degrees centigrade, or 50 degrees centigrade.



1 1/2" Wide Braided Connectors

Part Number	Description MCM	Approx. Term. Thickness	Term. Width	Ampacity	
				30° C	50° C
240 - 1.5	105	.250"	1 1/2"	240	315
350 - 1.5	210	.270"	1 1/2"	350	460
450 - 1.5	315	.400"	1 1/2"	450	590
540 - 1.5	420	.450"	1 1/2"	540	710
625 - 1.5	525	.500"	1 1/2"	625	825
705 - 1.5	630	.560"	1 1/2"	705	930
785 - 1.5	735	.620"	1 1/2"	785	1035
865 - 1.5	840	.750"	1 1/2"	865	1140
945 - 1.5	945	.800"	1 1/2"	945	1245
1020 - 1.5	1050	.880"	1 1/2"	1020	1345
1095 - 1.5	1155	.950"	1 1/2"	1095	1445
1175 - 1.5	1260	1.00"	1 1/2"	1175	1550
1250 - 1.5	1365	1.00"	1 1/2"	1250	1650
1325 - 1.5	1470	1.125"	1 1/2"	1325	1745
1400 - 1.5	1575	1.250"	1 1/2"	1400	1845
1475 - 1.5	1680	1.280"	1 1/2"	1475	1945
1550 - 1.5	1785	1.350"	1 1/2"	1550	2045
1620 - 1.5	1890	1.460"	1 1/2"	1620	2140
1695 - 1.5	1995	1.54"	1 1/2"	1695	2235
1775 - 1.5	2100	1.62"	1 1/2"	1775	2340
1850 - 1.5	2440	1.7"	1 1/2"	1850	2440
1920 - 1.5	2310	1.78"	1 1/2"	1920	2535
2000 - 1.5	2415	1.86"	1 1/2"	2000	2640



1" Wide Braided Connectors

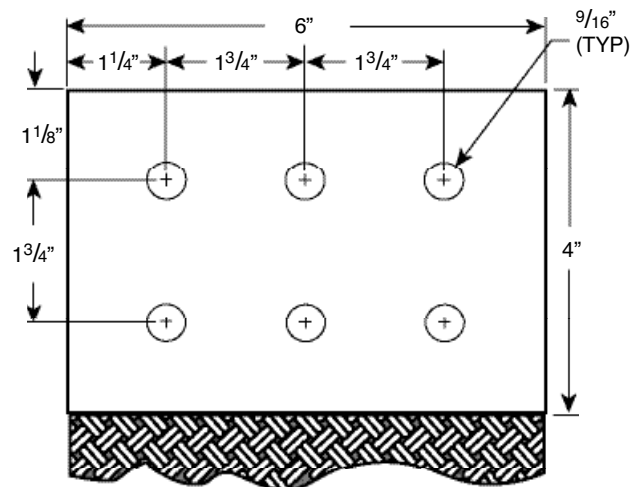
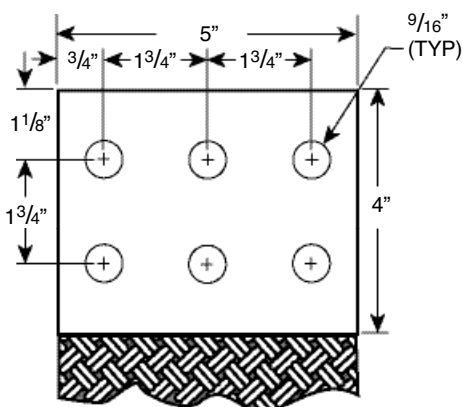
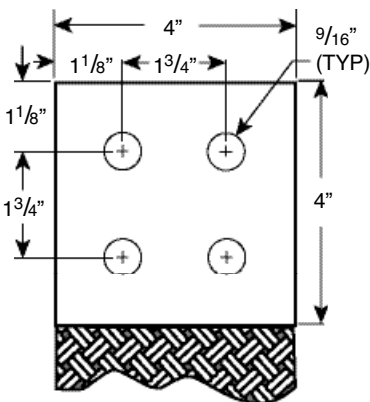
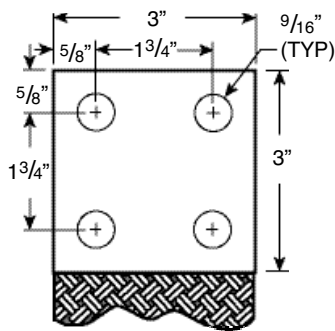
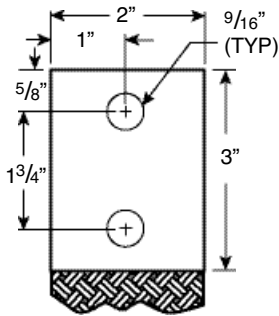
Part Number	Description MCM	Approx. Term. Thickness	Term. Width	Ampacity	
				30° C	50° C
180 - 1	84	.160"	1"	180	235
275 - 1	168	.190"	1"	275	360
350 - 1	252	.350"	1"	350	460
420 - 1	336	.390"	1"	420	550

Additional Ampacity Available

BRAIDED FLEXIBLE CONNECTORS (continued)

2" to 6" Wide Braided Connectors

Part Number	Description MCM	Approx. Term. Thickness	Term. Width	Ampacity	
				30° C	50° C
569 - 2	420	.375"	2"	569	755
724 - 2	630	.5"	2"	724	961
866 - 2	840	.625"	2"	866	1149
1000 - 2	1050	.75"	2"	1000	1328
801 - 3	630	.375"	3"	801	1062
1007 - 3	945	.5"	3"	1007	1337
1194 - 3	1260	.625"	3"	1194	1584
1367 - 3	1575	.75"	3"	1367	1814
1026 - 4	840	.375"	4"	1026	1361
1284 - 4	1260	.5"	4"	1284	1703
1512 - 4	1680	.625"	4"	1512	2006
1724 - 4	2100	.75"	4"	1724	2286
1248 - 5	1050	.375"	5"	1248	1654
1554 - 5	1575	.5"	5"	1554	2061
1825 - 5	2100	.625"	5"	1825	2420
2073 - 5	2625	.75"	5"	2073	2749
1465 - 6	1260	.375"	6"	1465	1943
1821 - 6	1890	.5"	6"	1821	2414
2132 - 6	2520	.625"	6"	2132	2827
2417 - 6	3150	.75"	6"	2417	3204



BRAIDED FLEXIBLE CONNECTORS

Tough, Dependable, Efficient Performance

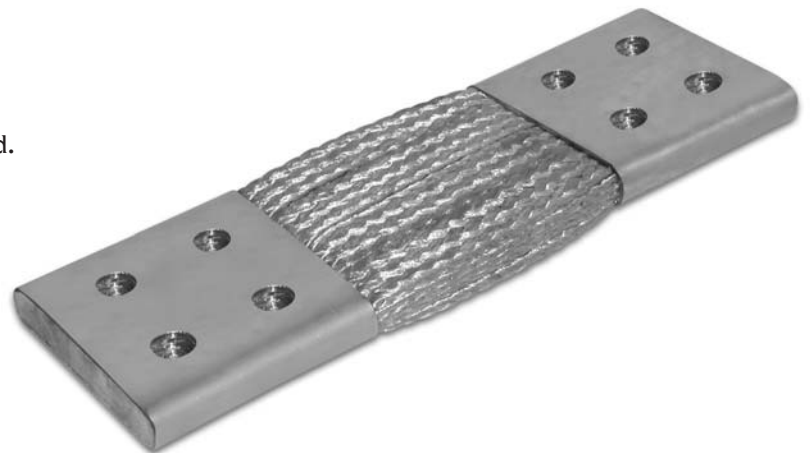


Watteredge Braided Flexible Connectors are built to perform dependably during the transmission of medium to high amperage electrical currents. They deliver the maximum amount of power while maintaining peak efficiency. And, they are designed to compensate for vibration, heat expansion/contraction of busses. Tin plated, corrosion fighting material is used in the manufacture of our flexible connectors allowing for a longer production life.

Watteredge Braided Flexible Connectors can be made to exact specifications. For superior quality, connector ends can be presswelded into a single homogeneous mass using the exclusive Watteredge Press Weld™ process. This process manages the resistance level to half the level of many present connectors. Plus, the resistance is minimized over time.

Standard Braid Features

- Available in 1", 1 1/4", 1 3/4", 1 1/2", 2", 3", 4", 5" and 6" width.
- Drilling patterns are NEMA standards or as requested.
- Ferrules are typically 3" long (max 5 7/8").
- Copper can be bare or tin-plated.
- Contact pads can be silver, tin or nickel plated.
- Current capacity to 3200 amps is available. Current capacity is based on a single conductor in free air with a temperature rise of 30 degrees centigrade or 50 degrees centigrade.



Selection Form

Width Size (circle one)

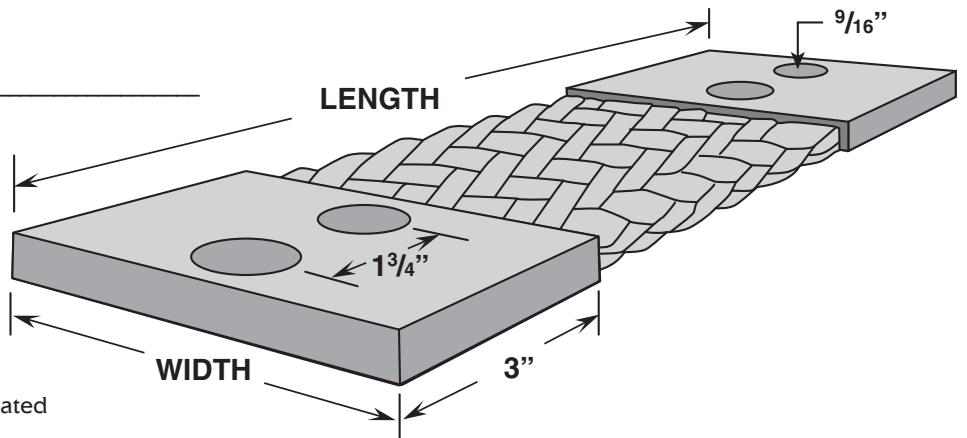
1" 1 1/4" 1 3/8" 1 1/2" 2" 3" 4" 5" 6"

Overall Length (please specify in inches) _____

Ferrule Length (please specify 3" - 5 7/8") _____

Ampacity Rating _____

Watteredge Part No. _____



Copper Braid (circle one) Bare Tin Plated

Contact Pads (circle one) Silver Plated Tin Plated Nickel Plated

Quantity _____

Company Name _____

Address _____

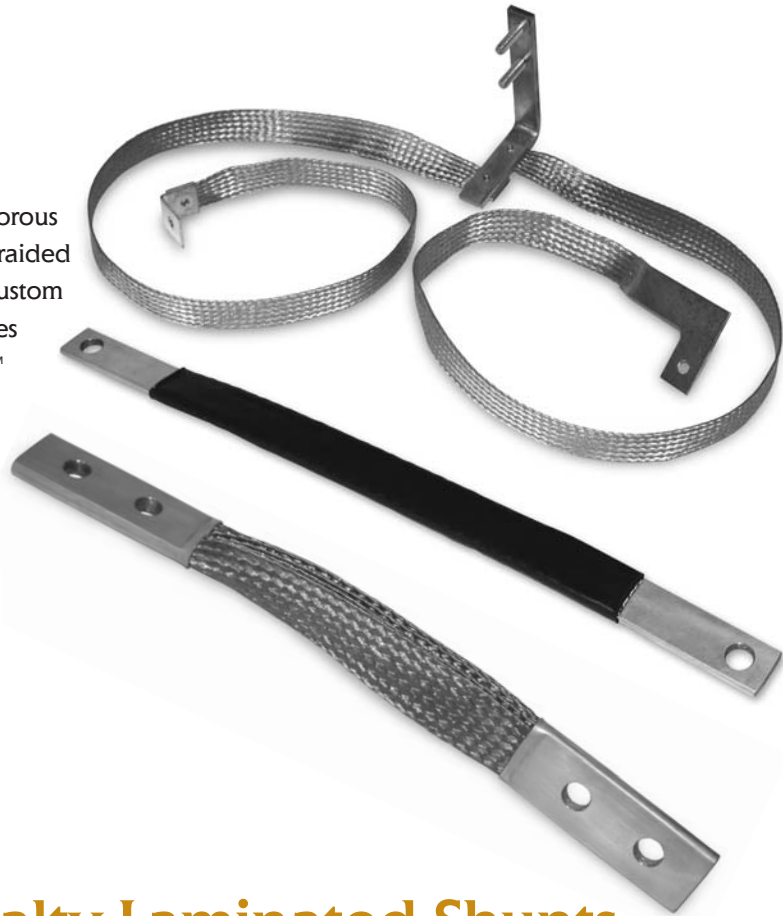
City _____ State _____ Country _____ Zip _____

Phone _____ Fax _____

Buyer's Name _____ Email _____

Specialty Braided Flexible Connectors

A standard connector may not be the answer to your more rigorous production needs. Watteredge has the ability to customize a braided flexible connector to meet your job specific application. Our custom braided flexible connectors can be designed in a variety of sizes and designs, and can be formed using our unique Press Weld™ technology. Simply ask us about our made-to-order assemblies and tell us your performance expectations. The Power Professionals at Watteredge will work with you to provide the right solution to all your power applications.



Specialty Braided Flexible Connectors Features

- Provides quintessential electrical value
- Minimizes voltage loss
- Compensates for vibration, expansion, contraction

Specialty Laminated Shunts

Our custom designed laminated shunts are the ideal solution when a standard shunt configuration does not sufficiently meet your production requirements. Watteredge designs and engineers laminated shunts to provide solutions to the most difficult production challenges. Our shunts are manufactured using our patented Press Weld™ process or are available using a riveted method. The Power Professionals at Watteredge provide solutions that open the way to maximum productivity.

Specialty Shunts Features

- Lower resistance values equal to flat copper bar
- Minimal voltage loss
- Balanced flow of electrical current



Specialty Jumpers

Watteredge provides specialty jumpers that are custom designed and engineered to customers applications. Made by the most advanced manufacturing technologies and the most exacting standards, our jumpers are subjected to highly rigorous quality controls. Watteredge custom jumpers are available in the widest range of materials and sizes, and can be formed using our unique Press Weld™ technology. Contact the Power Professionals at Watteredge for solutions to your special production requirements.



Custom Jumper Features

- Unlimited electrical capacity and configurations
- Single or multiple cables or laminations
- Single or multiple terminations
- Terminations to fit your existing equipment
- Forced cooling or water, if required
- Heat shrink
- A variety of covers available (i.e. neoprene, hypalon)