

# Braided Flexible Connectors

## Selection Form

Width Size (circle one)

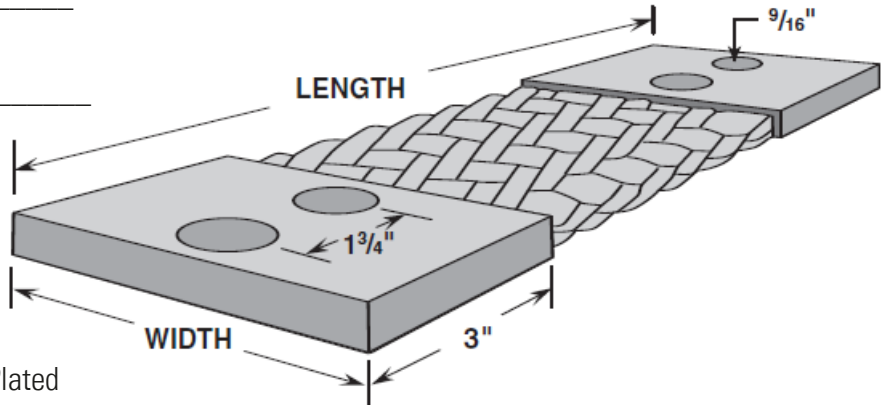
1"   1 1/4"   1 3/8"   1 1/2"   2"   3"   4"   5"   6"

Overall Length (please specify in inches) \_\_\_\_\_

Ferrule Length (please specify 3" - 5 7/8") \_\_\_\_\_

Ampacity Rating \_\_\_\_\_

Part No. \_\_\_\_\_



Copper Braid (circle one):      Bare    Tin Plated

Contact Pads (circle one):      Silver Plated    Tin Plated    Nickel Plated

Quantity \_\_\_\_\_

Company Name \_\_\_\_\_

Address \_\_\_\_\_

City \_\_\_\_\_ State \_\_\_\_\_ Country \_\_\_\_\_ Zip \_\_\_\_\_

Phone \_\_\_\_\_ Fax \_\_\_\_\_

Buyer's Name \_\_\_\_\_ Email \_\_\_\_\_

